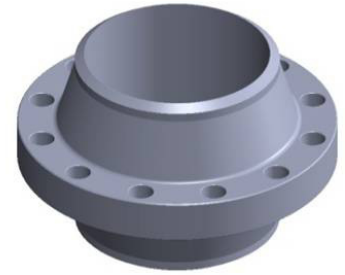




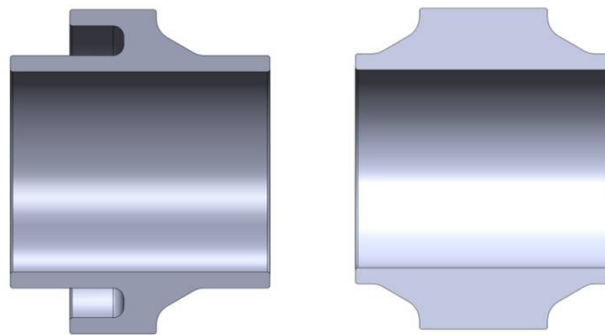
J-Lay Collar



Hang-Off Collar



Hanger/Anchor Flange



Buckle Arrestors

Ameriforge has forging and machining capability to manufacture custom engineered subsea pipeline connectors to meet customer material, engineering specifications and Industry standards. Ameriforge has the metallurgical experience and knowledge base to meet critical project demands of chemistry and mechanical properties in high stress and harsh environments. Additional information is available upon request. Please send inquiries to the e-mail address shown below.

Contact Us:

13770 Industrial Rd.
Houston, TX 77015
Phone: 713.393.4200
pipelineproducts@ameriforge.com